



HY2112

Datasheet

1-Cell LiFePO4

Battery Packs Protection ICs

Table of Contents

1.	GENERAL DESCRIPTION	4
2.	FEATURES	4
3.	APPLICATIONS	4
4.	BLOCK DIAGRAM	5
5.	ORDERING INFORMATION	6
6.	MODEL LIST	6
7.	PIN CONFIGURATION AND PACKAGE MARKING INFORMATION	7
8.	ABSOLUTE MAXIMUM RATINGS	7
9.	ELECTRICAL CHARACTERISTICS	8
10.	BATTERY PROTECTION IC CONNECTION EXAMPLE	10
11.	DESCRIPTION OF OPERATION.....	11
11.1	Normal Status.....	11
11.2	Overcharge Status	11
11.3	Overdischarge Status and Sleep Mode	12
11.4	Discharge Overcurrent Status (Discharge Overcurrent & Short Circuit).....	12
11.5	Charge Overcurrent Status	13
11.6	0V Battery Charging Function “Available”	13
11.7	0V Battery Charging Function “Unavailable”	13
12.	PACKAGE INFORMATION.....	14
12.1.	SOT-23-6.....	14
13.	REVISION RECORD.....	15

Attention :

1. HYCON Technology Corp. reserves the right to change the content of this datasheet without further notice. For most up-to-date information, please constantly visit our website:
<http://www.hycontek.com> .
2. HYCON Technology Corp. is not responsible for problems caused by figures or application circuits narrated herein whose related industrial properties belong to third parties.
3. Specifications of any HYCON Technology Corp. products detailed or contained herein stipulate the performance, characteristics, and functions of the specified products in the independent state. We does not guarantee of the performance, characteristics, and functions of the specified products as placed in the customer's products or equipment. Constant and sufficient verification and evaluation is highly advised.
4. Please note the operating conditions of input voltage, output voltage and load current and ensure the IC internal power consumption does not exceed that of package tolerance. HYCON Technology Corp. assumes no responsibility for equipment failures that resulted from using products at values that exceed, even momentarily, rated values listed in products specifications of HYCON products specified herein.
5. Notwithstanding this product has built-in ESD protection circuit, please do not exert excessive static electricity to protection circuit.
6. Products specified or contained herein cannot be employed in applications which require extremely high levels of reliability, such as device or equipment affecting the human body, health/medical equipments, security systems, or any apparatus installed in aircrafts and other vehicles.
7. Despite the fact that HYCON Technology Corp. endeavors to enhance product quality as well as reliability in every possible way, failure or malfunction of semiconductor products may happen. Hence, users are strongly recommended to comply with safety design including redundancy and fire-precaution equipments to prevent any accidents and fires that may follow.
8. Use of the information described herein for other purposes and/or reproduction or copying without the permission of HYCON Technology Corp. is strictly prohibited.

1. General Description

The series of **HY2112** ICs is best created for single-cell LiFePO4 rechargeable battery protection and it also comprises high-accuracy voltage detectors and delay circuits.

These ICs are suitable for protecting single-cell rechargeable LiFePO4 battery packs against the problems of overcharge, overdischarge and overcurrent.

2. Features

The features that whole series of HY2112 comprised are as follows:

(1) High-accuracy voltage detection circuit

- Overcharge detection voltage 3.600 to 4.000V Accuracy:±25mV
- Overcharge release voltage 3.400 to 4.000V Accuracy:±50mV
- Overdischarge detection voltage 1.8 to 2.2V Accuracy:±50mV
- Overdischarge release voltage 1.8 to 2.4V Accuracy:±50mV
- Discharge overcurrent detection voltage (by option) Accuracy:±15mV
- Charge overcurrent detection voltage (by option)
- Short-circuiting detection voltage 0.85V (fixed) Accuracy ±300mV

(2) Delay times are generated by an internal circuit (external capacitors are unnecessary).

- Overcharge delay time 1200ms typ.
- Overdischarge delay time 140ms typ.
- Discharge overcurrent delay time 12ms typ.
- Charge overcurrent delay time 8ms typ.
- Short circuit delay time 300µs typ.

(3) Low current consumption

- Operation mode 3.0µA typ., 6.0µA max. (VDD=3.2V)
- Ultra low power-down current at 0.1µA max.

(4) High-withstanding-voltage device is used for charger connection pins

(CS pin and OC pin : Absolute maximum rating = 20 V)

(5) 0 V battery charge function “available” / “unavailable” are selectable(See Model List)

(6) Wide operation temperature range -40°C to +85 °C

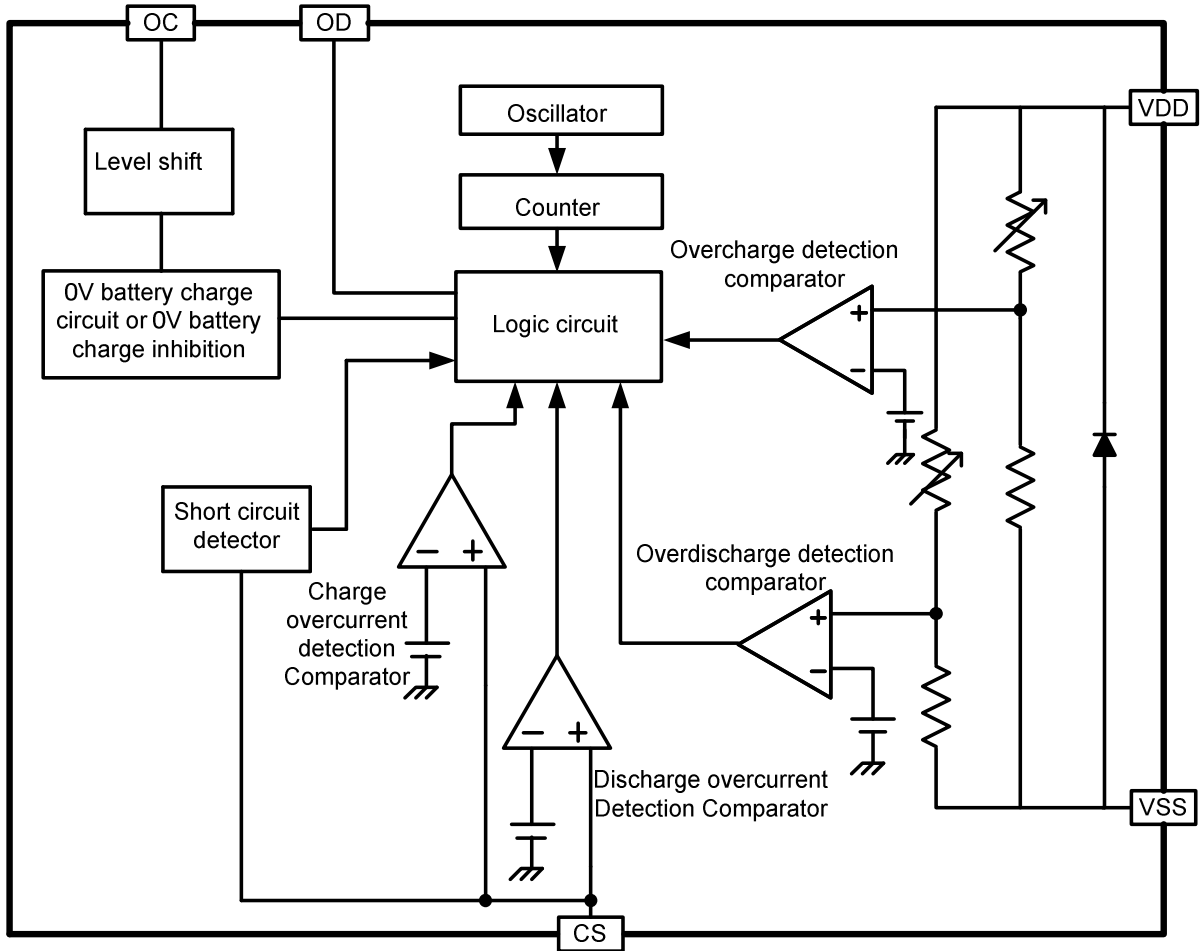
(7) Small package SOT-23-6

(8) The HY2112 series are Halogen-free, green package

3. Applications

- 1-cell LiFePO4 rechargeable battery packs

4. Block Diagram



5. Ordering Information

■ Product Name Define

HY2112-XX

Package name
B: SOT-23-6

Serial code
Sequentially set from A to Z

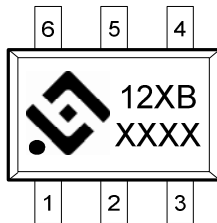
6. Model List

Model	Overcharge detection voltage	Overcharge release voltage	Overdischarge detection voltage	Overdischarge release voltage	Discharge overcurrent detection voltage	Overcharge overcurrent detection voltage	0V battery charge function
	V _{CU}	V _{CR}	V _{DL}	V _{DR}	V _{DIP}	V _{CIP}	V _{0CH}
HY2112-AB	3.75±0.025V	3.60±0.05V	2.10±0.05V	2.30±0.05V	100±15mV	-200±30mV	available
HY2112-BB	3.75±0.025V	3.60±0.05V	2.10±0.05V	2.30±0.05V	150±15mV	-200±30mV	available
HY2112-CB	3.75±0.025V	3.60±0.05V	2.10±0.05V	2.30±0.05V	200±15mV	-200±30mV	available
HY2112-EB	3.90±0.025V	3.75±0.05V	2.10±0.05V	2.30±0.05V	200±15mV	-200±30mV	available
HY2112-GB	3.75±0.025V	3.25±0.05V	1.825±0.05V	2.37±0.05V	100±15mV	-100±20mV	available
HY2112-HB	3.65±0.025V	3.45±0.05V	2.50±0.05V	3.00±0.05V	100±15mV	-250±50mV	available

Remark: Please contact our sales office for the products with detection voltage value other than those specified above.

7. Pin Configuration and Package Marking Information

Pin No.	Symbol	Description
1	OD	MOSFET gate connection pin for discharge control
2	CS	Input pin for current sense, charger detect pin
3	OC	MOSFET gate connection pin for charge control
4	NC	No connection.
5	VDD	Power supply pin
6	VSS	Ground pin



12 : Product Name
 XB : Serial code and Package name
 XXXX : Date code

8. Absolute Maximum Ratings

(VSS=0V, Ta=25°C unless otherwise specified)

Item	Symbol	Rating	Unit
Input voltage between VDD and VSS pin	V _{DD}	VSS-0.3 to VSS+10	V
OC output pin voltage	V _{OC}	VDD -20 to VDD +0.3	V
OD output pin voltage	V _{OD}	VSS-0.3 to VDD +0.3	V
CS input pin voltage	V _{CS}	VDD -20 to VDD +0.3	V
Operating Temperature Range	T _{OP}	-40 to +85	°C
Storage Temperature Range	T _{ST}	-40 to +125	°C
Power dissipation	P _D	250	mW

9. Electrical Characteristics

(Ta=25°C unless otherwise specified)

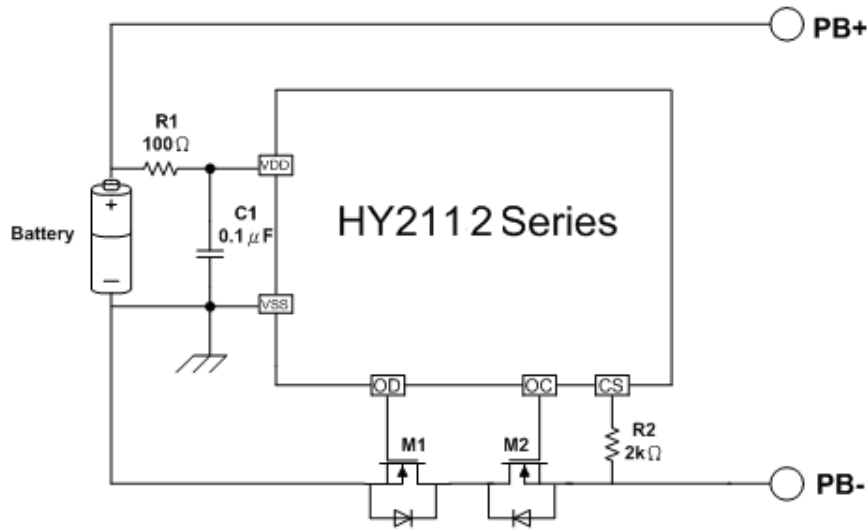
Item	Symbol	Condition	Min.	Typ.	Max.	Unit
SUPPLY POWER RANGE						
Operating voltage between VDD pin and VSS pin	V _{DSOP1}	-	1.5	-	8	V
Operating voltage between VDD pin and CS pin	V _{DSOP2}	-	1.5	-	20	V
INPUT CURRENT						
Supply Current	I _{DD}	VDD=3.2V	-	3.0	6.0	μA
Power-Down Current	I _{PD}		-	-	0.1	μA
DETECTION VOLTAGE						
Overcharge Detection Voltage	V _{CU}	3.6V to 4.0V adjustable	V _{CU} -0.025	V _{CU}	V _{CU} +0.025	V
Overcharge Release Voltage	V _{CR}	3.4V to 4.0V adjustable	V _{CR} -0.05	V _{CR}	V _{CR} +0.05	V
Overdischarge Detection Voltage	V _{DL}	1.8V to 2.2V adjustable	V _{DL} -0.05	V _{DL}	V _{DL} +0.05	V
Overdischarge Release Voltage	V _{DR}	1.8V to 2.4V adjustable	V _{DR} -0.05	V _{DR}	V _{DR} +0.05	V
Discharge Overcurrent Detection Voltage	V _{DIP}		V _{DIP} -15	V _{DIP}	V _{DIP} +15	mV
Charge Overcurrent Detection Voltage	V _{CIP}	V _{DD} =3.6V, 50mV<V _{CIP} <150mV	V _{CIP} -20	V _{CIP}	V _{CIP} +20	mV
		V _{DD} =3.6V, 150mV≤V _{CIP} <250mV	V _{CIP} -30	V _{CIP}	V _{CIP} +30	mV
		V _{DD} =3.6V, V _{CIP} ≥250mV	V _{CIP} -50	V _{CIP}	V _{CIP} +50	mV
Short Circuit Detection Voltage	V _{SIP}	VDD=3.0V	0.55	0.85	1.15	V
DELAY TIME						
Overcharge Delay Time	T _{OC}		900	1200	1500	ms
Overdischarge Delay Time	T _{OD}		105	140	175	ms
Discharge Overcurrent Delay Time	T _{DIP}		9	12	15	ms
charge Overcurrent Delay Time	T _{CIP}		6	8	10	ms
Short Circuit Delay Time	T _{SIP}	VDD=3.0V	200	300	400	μs
CONTROL OUTPUT VOLTAGE(OD&OC)						
OD Pin Output "H" Voltage	V _{DH}		VDD-0.1	VDD-0.02	-	V
OD Pin Output "L" Voltage	V _{DL}		-	0.1	0.5	V
OC Pin Output "H" Voltage	V _{CH}		VDD-0.1	VDD-0.02	-	V
OC Pin Output "L" Voltage	V _{CL}		-	0.1	0.5	V
0V BATTERY CHARGE FUNCTION						
0V battery charge starting charger voltage	V _{0CH}	0V battery charging function "available"	1.2	-	-	V
0V battery charge inhibition	V _{0IN}	0V battery charging	-	-	0.5	V

HY2112

1-Cell LiFePO4 Battery Packs Protection ICs

charger voltage		function "unavailable"				
-----------------	--	------------------------	--	--	--	--

10. Battery Protection IC Connection Example



Symbol	Device Name	Purpose	Min.	Typ.	Max.	Remark
R1	Resistor	Limiting current, stabilize VDD and strengthen ESD protection	100Ω	100Ω	470Ω	*1
R2	Resistor	Limiting current	300Ω	2kΩ	2kΩ	*2
C1	Capacitor	Stabilizing VDD	0.01μF	0.1μF	1.0μF	*3
M1	N-MOSFET	Discharge control	-	-	-	*4
M2	N-MOSFET	Charge control	-	-	-	*5

- *1. R1 should be as small as possible to avoid lowering the overcharge detection accuracy due to current consumption. When a charger is connected in reversed, the current flows from the charger to the IC. At this time, if R1 is connected to high resistance, the voltage between VDD pin and VSS pin may exceed the absolute maximum rating.
- *2. If R2 has a resistance higher than 2kΩ, the charging current may not be cut when a high-voltage charger is connected. Please select as large a resistance as possible to prevent current when a charger is connected in reversed.
- *3. C1 will stabilize the supply voltage of VDD, the value of C1 should be equal to or more than 0.01μF.
- *4. If a FET with a threshold voltage equal to or higher than the overdischarge detection voltage is applied, discharging may be stopped before overdischarge is detected.
- *5. If the withstanding voltage between the gate and source is lower than the charger voltage, the FET may be destroyed.

Caution :

(1) The above constants may be changed without notice , please download the most up-to-date datasheet on our website. <http://www.hycontek.com>

(2) It is advised to perform thorough evaluation and test if peripheral devices need to be adjusted.

11. Description of Operation

11.1 Normal Status

This IC monitors the voltage of the battery connected between the VDD pin and VSS pin and the voltage difference between the CS pin and VSS pin to control charging and discharging.

For ICs that equipped with discharge overcurrent detection voltage (V_{DIP}), when battery voltage is above overdischarge detection voltage (V_{DL}) and under overcharge detection voltage (V_{CU}) and CS pin voltage is under discharge overcurrent detection voltage (V_{DIP}), the OD and OC pin will output high potential difference, to turn both charging and discharging control MOSFET on. This condition is called “Normal Status”. Under this condition, charging and discharging can both be carried out freely.

Notice: Discharging may not be enacted when the battery is first time connected. To regain normal status, CS and VSS PIN must be shorted or the charger must be connected.

11.2 Overcharge Status

Under normal status, as soon as the battery voltage becomes higher than the overcharge detection voltage (V_{CU}) during charging and the detection continues longer than the overcharge detection delay time (T_{OC}), the **HY2112 Series** will turn the charging control MOSFET off (OC pin) to stop charging. This condition is called “Overcharge Status”.

The overcharge status can be released by two following cases:

Condition: disconnected charger

(1) The voltage of the battery cell is equal to or lowers than the overcharge release voltage (V_{CR}) due to self-discharge.

(2) When the load is connected, the discharge current will pass through parasitical diode of charging control MOSFET. At this time, CS pin will detect “Diode forward voltage drop”. When CS pin voltage rises higher than discharge overcurrent detection voltage (V_{DIP}) and battery voltage lowers than overcharge detection voltage (V_{CU}), the overcharge status will be released and back to normal status.

Caution:

(1) When a charger still is being connected to batteries that entered into overcharge status, even the battery voltage falls lowers than overcharge release voltage (V_{CR}), the overcharge status cannot be released. The overcharge status will be released when the CS pin voltage ascends higher than Charger Overcurrent detection Voltage (V_{CIP}) by removing the charger.

11.3 Overdischarge Status and Sleep Mode

When the battery voltage falls below than that of overdischarge detection voltage (V_{DL}) during discharging in normal status and the detection continues longer than the overdischarge detection delay time (T_{OD}), the **HY2112 Series** will turn the discharging control MOSFET off (OD pin) so as to stop discharging. This condition is called “Overdischarge Status”.

When the MOSFET is off, CS pin voltage is pulled high by internal resistor to VDD in the IC. At this time, the power consumption is reduced to minimum. This condition is called the “Sleep Mode”.

The overdischarge status (OD pin) will be released by two cases:

- (1) When CS pin voltage is equal to or lower than the charger overcurrent detection voltage (V_{CIP}) by charging and the VDD pin voltage is higher than V_{DL} voltage.
- (2) When CS pin voltage is equal to or higher than the charger overcurrent detection voltage (V_{CIP}) by charging and the VDD pin voltage is higher than V_{DR} voltage.

11.4 Discharge Overcurrent Status (Discharge Overcurrent & Short Circuit)

Under normal condition, the **HY2112** continuously monitors the discharge current by sensing the voltage of CS pin. If the voltage of CS pin exceeds the overcurrent detection voltage (V_{DIP}) and the condition lasts beyond the overcurrent delay time (T_{DIP}), discharging will be suspended by turning off the discharge control MOSFET (OD pin). This condition is called “Discharge Overcurrent Status”.

Once the CS pin voltage surpasses short circuit detection voltage (V_{SIP}) and this status lasts beyond short circuit delay time (T_{SIP}), discharging will be suspended by turning off the discharge control MOSFET (OD pin). This condition is called “Short Circuit Status”.

When the impedance between PB+ and PB- is higher than discharge overcurrent and short circuit release impedance, the discharge overcurrent status and short circuit status will be released and back to normal operation status. In addition, if the impedance between PB+ and PB- is less than discharge overcurrent and short circuit release impedance, CS pin voltage descends below than overcurrent detection voltage (V_{DIP}) after the charger is being connected, discharge overcurrent status and short circuit status will be released and back to normal operation status.

Caution:

(1) If the charger is connected incautiously in reversed, the current direction is the same as discharge current in the circuit. If CS pin voltage goes higher than overcurrent detection voltage (V_{DIP}), it will enter into discharge overcurrent protection status to block out in-circuit current.

11.5 Charge Overcurrent Status

When CS pin voltage lowers than charge overcurrent detection voltage(V_{CIP}) and this status lasts longer than charge overcurrent delay time(T_{CIP}) during charge process of batteries under normal operation, OC pin voltage output will change from high potential to low potential. At this time, MOSFET (OC pin) is disabled and charge stopped. This status is called “Charge Overcurrent Status”.

If CS pin voltage increases higher than charge overcurrent detection voltage(V_{CIP}) by disconnecting charger after enter charge overcurrent status, the charge overcurrent status will be released and restore to normal operation mode.

11.6 0V Battery Charging Function “Available”

This function is used to recharge a connected battery which voltage is 0V due to self-discharge. When the 0V battery charge starting charger voltage (V_{OCH}) or a higher voltage is applied between the battery+ (PB+) and battery- (PB-) pins by connecting a charger, the charging control MOSFET gate is fixed to the VDD pin voltage.

When the voltage between the gate and the source of the charging control MOSFET becomes equal to or higher than the turn on voltage due to the charger voltage, the charging control MOSFET is turned on to initiate charging. At this time, the discharging control MOSFET is off and the charging current flows through the internal parasitic diode in the discharging control MOSFET. When the battery voltage becomes equal to or higher than overdischarge detection voltage (V_{DL}), the **HY2112 series** will enter into the normal status.

Caution:

(1) Some battery providers do not recommend charging for a completely self-discharged battery. Please ask the battery provider to determine whether to enable or prohibit the 0V battery charging function.

11.7 0V Battery Charging Function “Unavailable”

When a battery which is internally short-circuited (0V battery) is connected, the unavailable 0V charging function will prohibit recharging. When the battery voltage equals to the 0V battery charge inhibition battery voltage (V_{0IN}) or lower, the charging control MOSFET gate is fixed to the PB- pin voltage to prohibit charging. When the battery voltage equals to the 0V battery charge inhibition battery voltage(V_{0IN}) or higher, charging can be implemented.

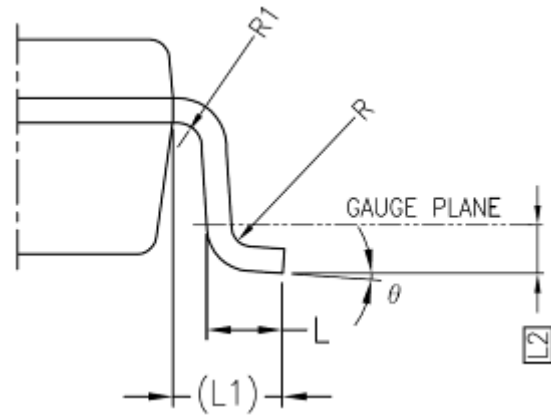
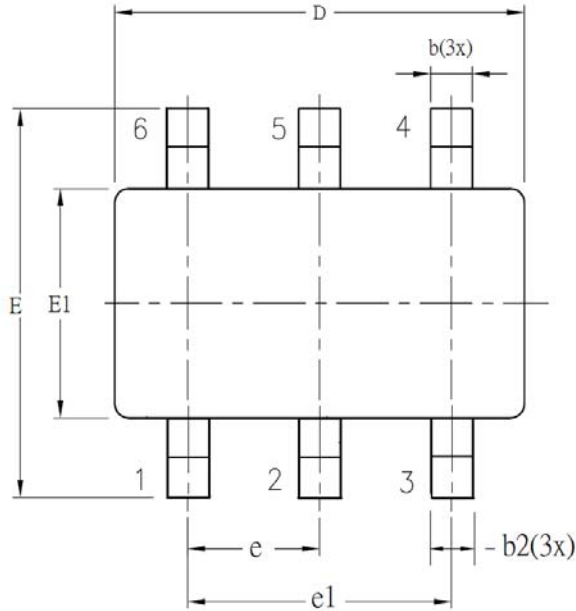
Caution:

(1) Some battery providers do not recommend charging for a completely self-discharged battery. Please ask the battery provider to determine whether to enable or prohibit the 0V battery charging function.

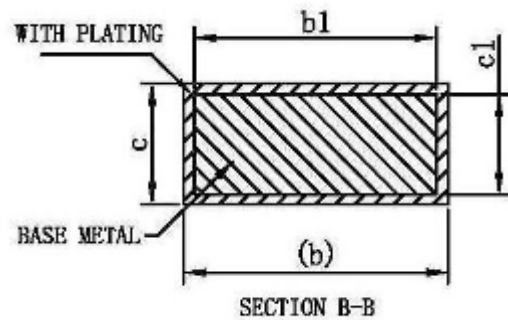
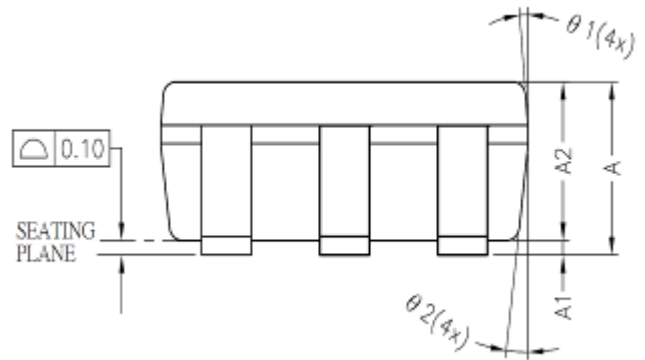
12. Package information

12.1. SOT-23-6

NOTE: All dimensions are in millimeters.



SYM BOL	ALL DIMENSIONS IN MILLIMETERS		
	MINIMUM	NOMINAL	MAXIMUM
A	-	1.30	1.40
A1	0	-	0.15
A2	0.90	1.20	1.30
b	0.30	-	0.50
b1	0.30	0.40	0.45
b2	0.30	0.40	0.50
c	0.08	-	0.22
c1	0.08	0.13	0.20
D	2.90 BSC		
E	2.80 BSC		
E1	1.60 BSC		
e	0.95 BSC		
e1	1.90 BSC		
L	0.30	0.45	0.60
L1	0.60 REF		
L2	0.25 BSC		
R	0.10	-	-
R1	0.10	-	0.25
θ	0°	4°	8°
θ1	5°	-	15°
θ2	5°	-	15°



13. Revision record

Major differences are stated thereafter:

Version	Page	Revision Summary
V01	-	First Edition.
V03	All	Add in new model no.:HY2112-EB.
	14,15	Revise package size.
V04	7	Revise SOT-23-6 package marking rule.
	14	Revise package size.
V05	All	Add in new model no.:HY2112-GB.
	All	Revise VDIP accuracy and delay time.
V06	All	Add in new model no.:HY2112-HB.
	All	Revise VCIP typical and accuracy